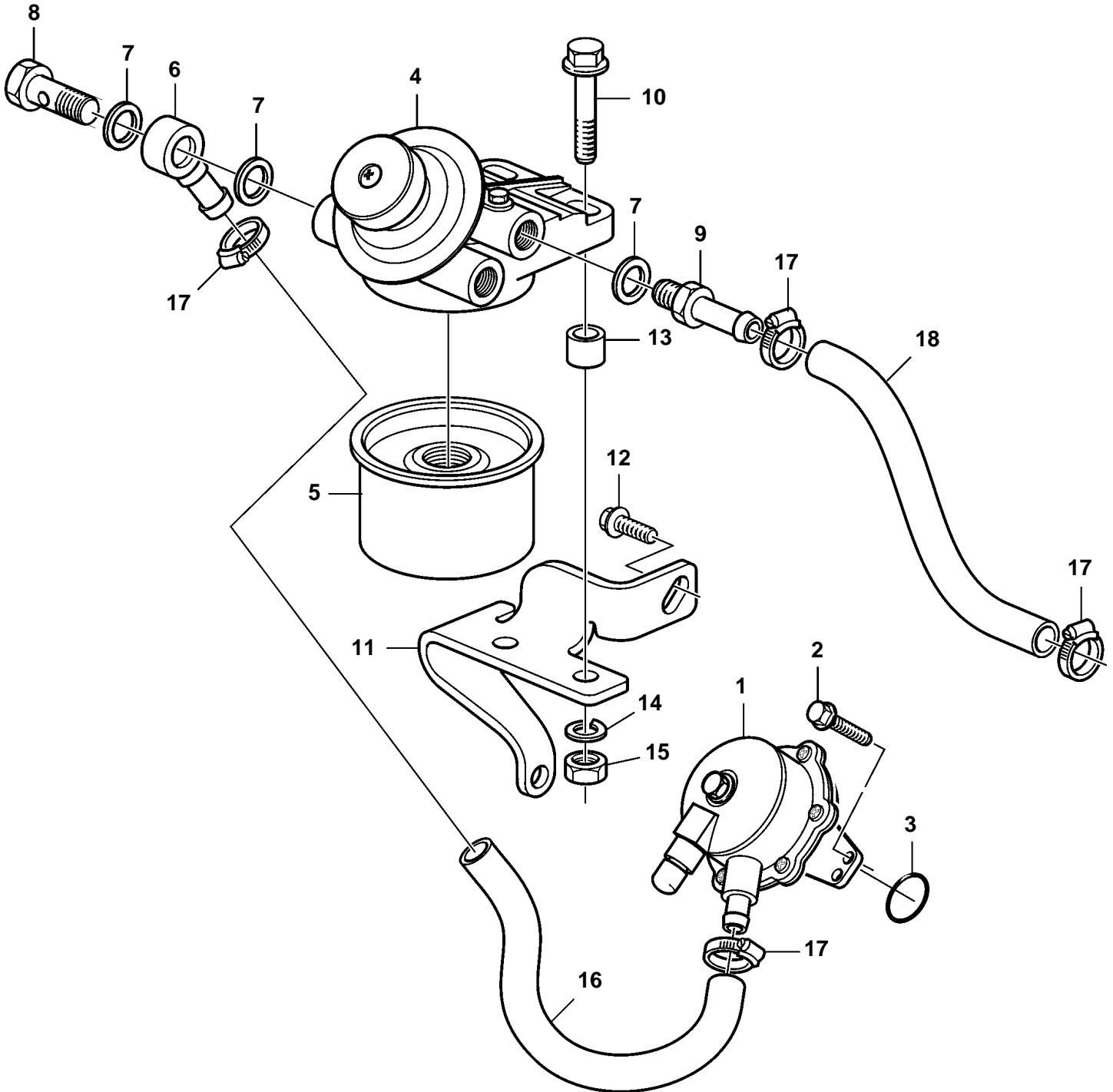


D1-30, D2-40



22882

D1-30, D2-40

| REF | PART NO. | QTY | DESCRIPTION |
|-----|----------|-----|-------------------------------|
| 1 | 3584126 | 1 | Feed pump Comps. not spec. |
| 2 | 945358 | 2 | Flange screw |
| 3 | 3589332 | 1 | O-ring |
| 4 | 3584125 | 1 | Fuel filter |
| 5 | 861477 | 1 | · Filter insert |
| 6 | 3580101 | 1 | · Banjo nipple |
| 7 | 969011 | 3 | · Gasket |
| 8 | 3580098 | 1 | · Hollow screw |
| 9 | 3809680 | 1 | Nipple |
| 10 | 965186 | 2 | Flange screw |
| 11 | 3809651 | 1 | Bracket |
| 12 | 946440 | 2 | Flange screw |
| 13 | 821540 | 2 | Spacer sleeve |
| 14 | 3580015 | 2 | Spring washer |
| 15 | 971071 | 2 | Nut |
| 16 | 3883327 | 1 | Hose |
| 17 | 961664 | 4 | Hose clamp |
| 18 | 3883328 | 1 | Hose |